



المصرية الألمانية  
لتشكيل المعادن

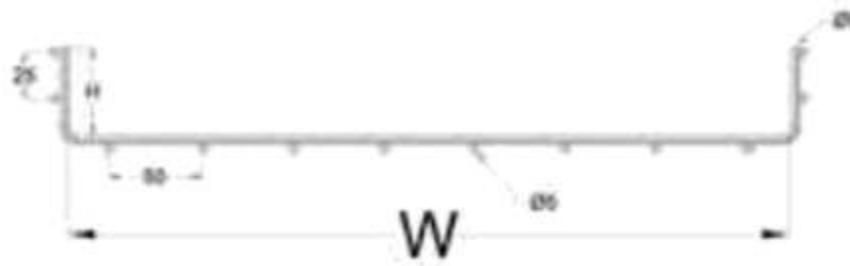


**Egyptian German**  
Metal Forming

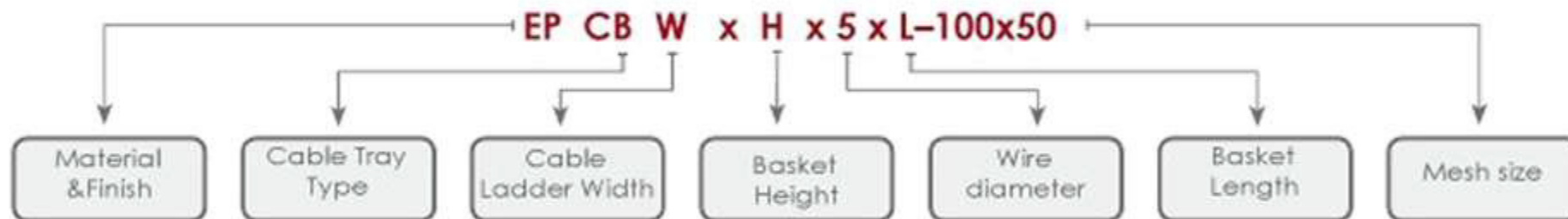
**Cable Basket**

## Wire mesh Cable tray (Basket type)

### Straight Element



### EX



## Material

### Steel

Basket Cable Tray Systems are produced from high strength steel Wires (ASTM A510).

### Stainless Steel

SS 304 stainless steel 304

SS 304L stainless steel 304L

ASTM A240

SS 316 stainless steel 316

SS 316L stainless steel 316L

## Finish

### Steel

HD Hot dip galvanized after fabrication according to ASTM A 123

EP Electro plated after fabrication ASTM B 633

EC Epoxy coated

### Stainless Steel

Cleaning

### Cable tray type

Cable tray type CB = cable basket

### Cable tray width

Cable tray Basket type width  $W = (100 - 200 - 300 - 400 - 500 - 600)$  mm

### Cable tray height

Cable basket height  $H = (50 - 100 - 150)$  mm.

### Wire diameter

Wire diameter (4-5-6) mm.

### Basket length

Basket standard length  $L = 2000, 3000$  mm.

### Mesh size

Standard mesh size =  $100 \times 50$  mm.

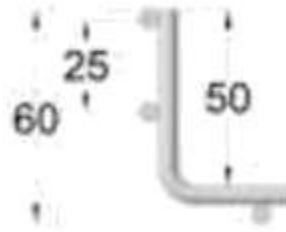
### Welding

A fully automated welding process produces continuous wire mesh with Press welding machine

## Cable tray Basket

Straight Element - Steel - Stainless Steel

SIDE 50 MM



Width (W)	Height (H)	Wire diameter	Length (L)
50	50	4 & 5 & 6	2000 & 3000
100			
200			
300			
400			
500			
600			



**EX.**

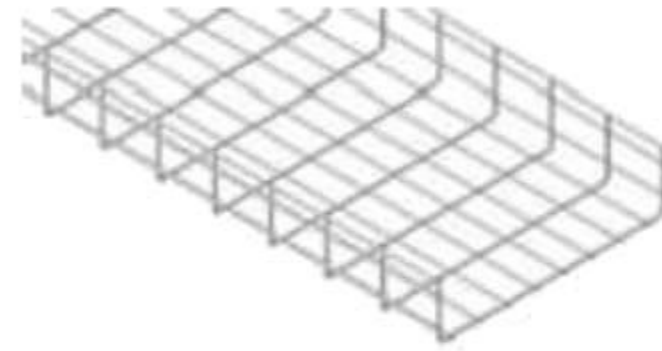
**EP CB 300x50x5x2000 - 100x50**

Electro plated cable tray basket type, 300 mm width, 50mm side height, wire diameter 5mm Mesh size 100x50 mm.

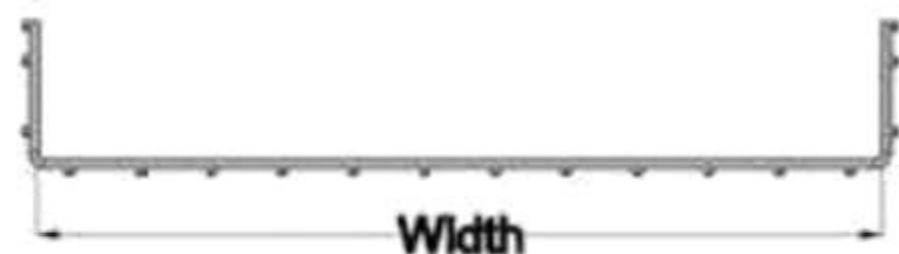
## Cable tray Basket

Straight Element - Steel - Stainless Steel

SIDE 100 MM



Width (W)	Height (H)	Wire diameter	Length (L)
100	100	4 & 5 & 6	2000 & 3000
200			
300			
300			
400			
400			
500			
600			



**EX.**

**EP CB 400x100x5x3000 - 100x50.**

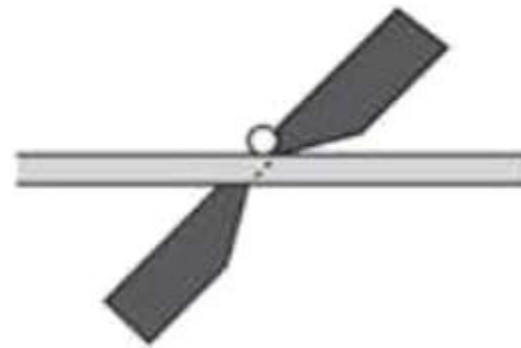
Electro plated cable tray basket type, 400 mm width, 100mm side height, wire diameter 5mm

Mesh size 100x50 mm

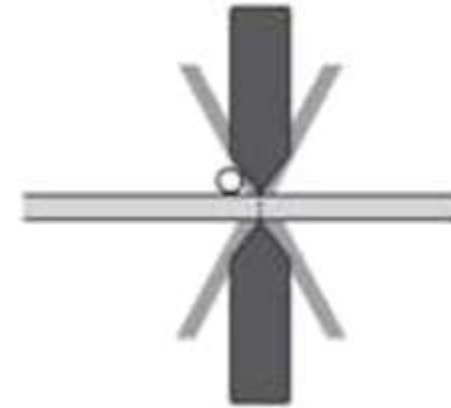
## Cable tray basket type (Fitting)

### Steel - Stainless steel

Wire Basket System is designed to accommodate Jobsite changes, Straight sections can be modified to produce bends, tees, crosses or reducers, Can be made from any tray width and depth with any available finish



Offset Cut

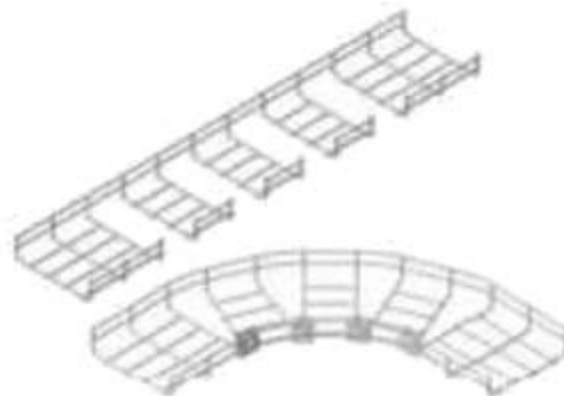


Do not use center cut blades.

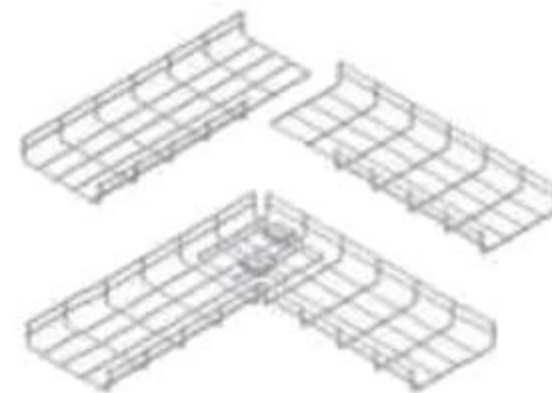
### HORIZONTAL ELBOW



Short Radius



Long Radius

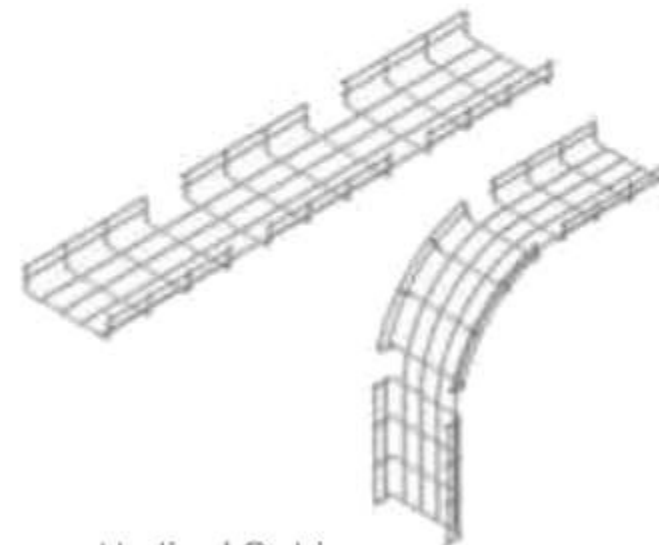
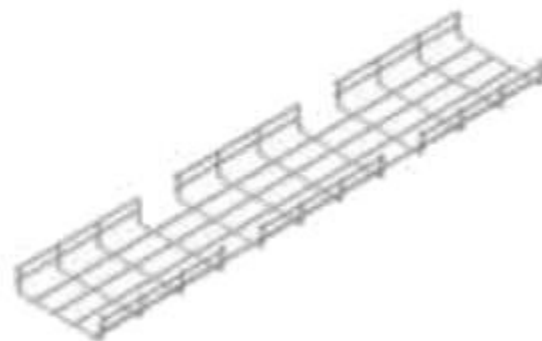


Straight sections

### Vertical Elbow

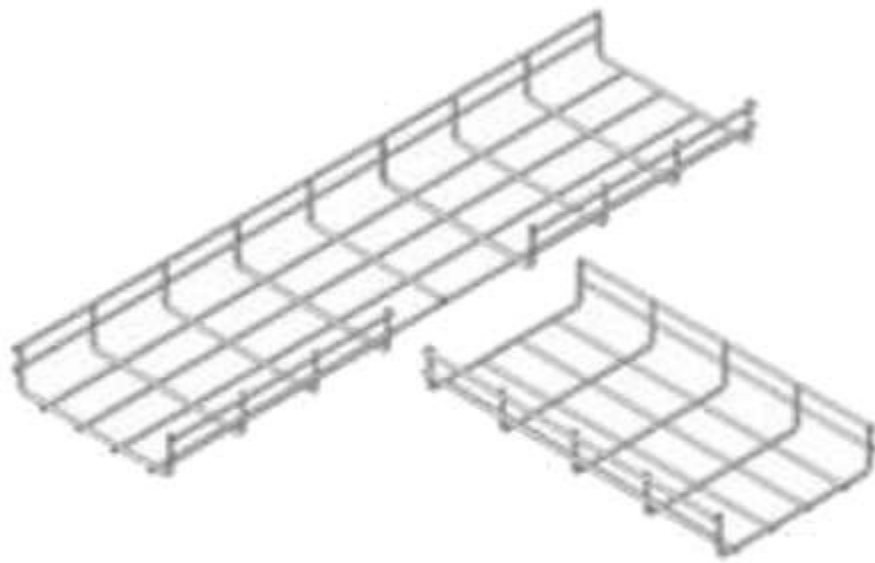


Vertical inside

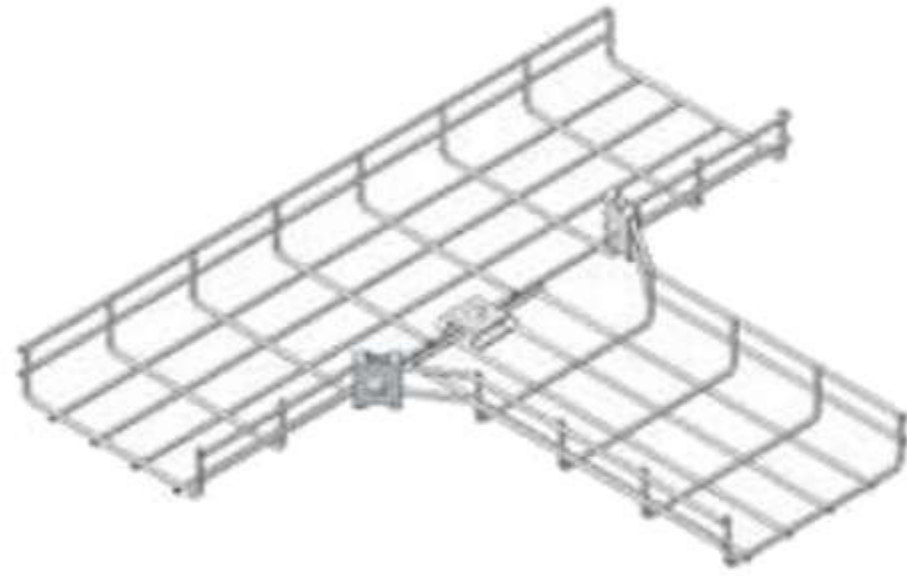


Vertical Outside

## Horizontal Tee

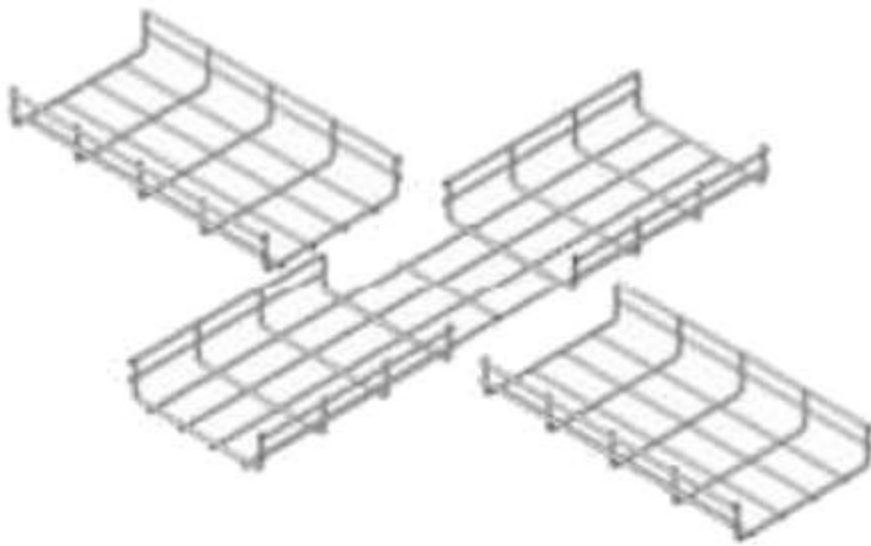


Straight sections

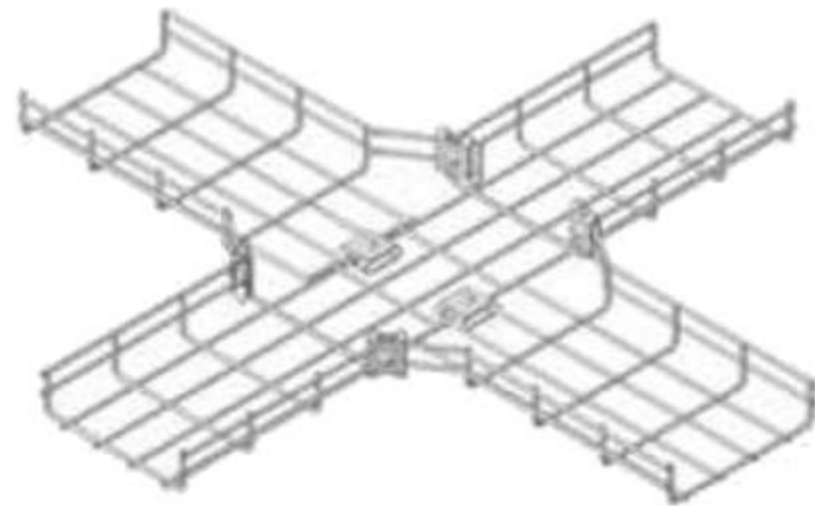


Short Radius

## Horizontal Cross

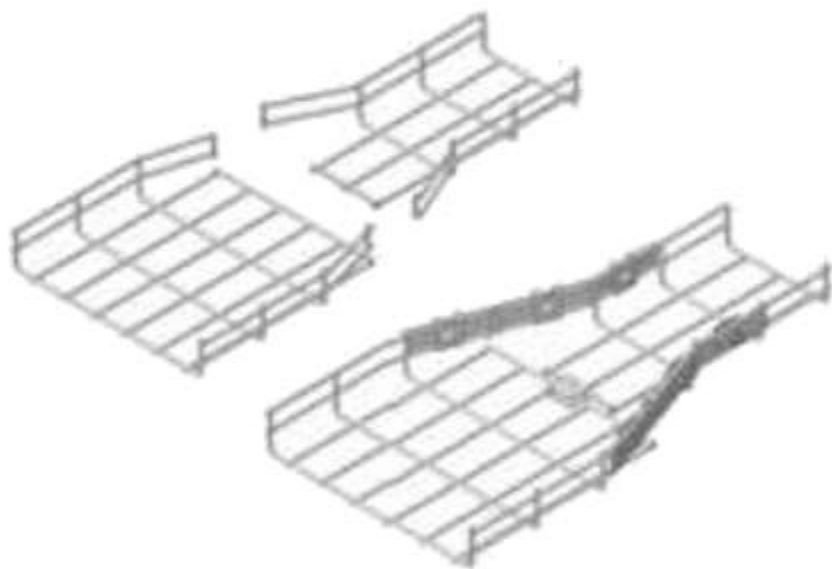


Straight sections

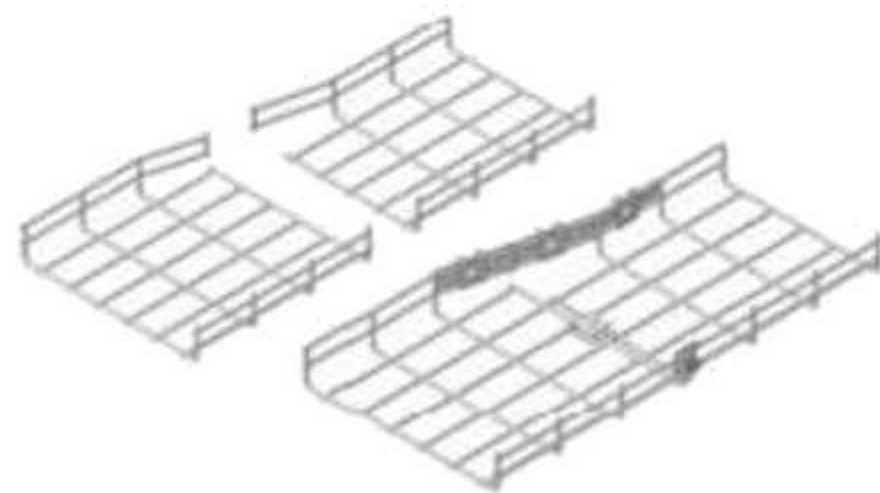


Short Radius

## Horizontal Reducer



Horizontal Center Reducer



Horizontal Right Reducer

# Accessories



Splice plate & clamp assembly ( side 50 )



Splice plate & clamp assembly ( side 100 )



Clamp assembly



Hold down clamp



Blind End



Straight element Separator



Horizontal Elbow Separator



Straight element Vertical



Vertical inside Separator



المصرية الألمانية  
لتشكيل المعادن

**HEAD OFFICE**

18 Zakaria Ahmed Street - Next to El Rihani Theater - Cairo

**Factory**

Qalyoub - Cairo Alexandria Agricultural Road - Meet Halfa, next to Al-Nagouli Factory

المصرية الألمانية  
لتشكيل المعادن